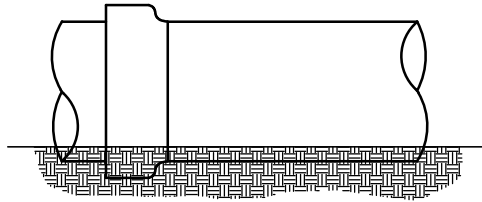
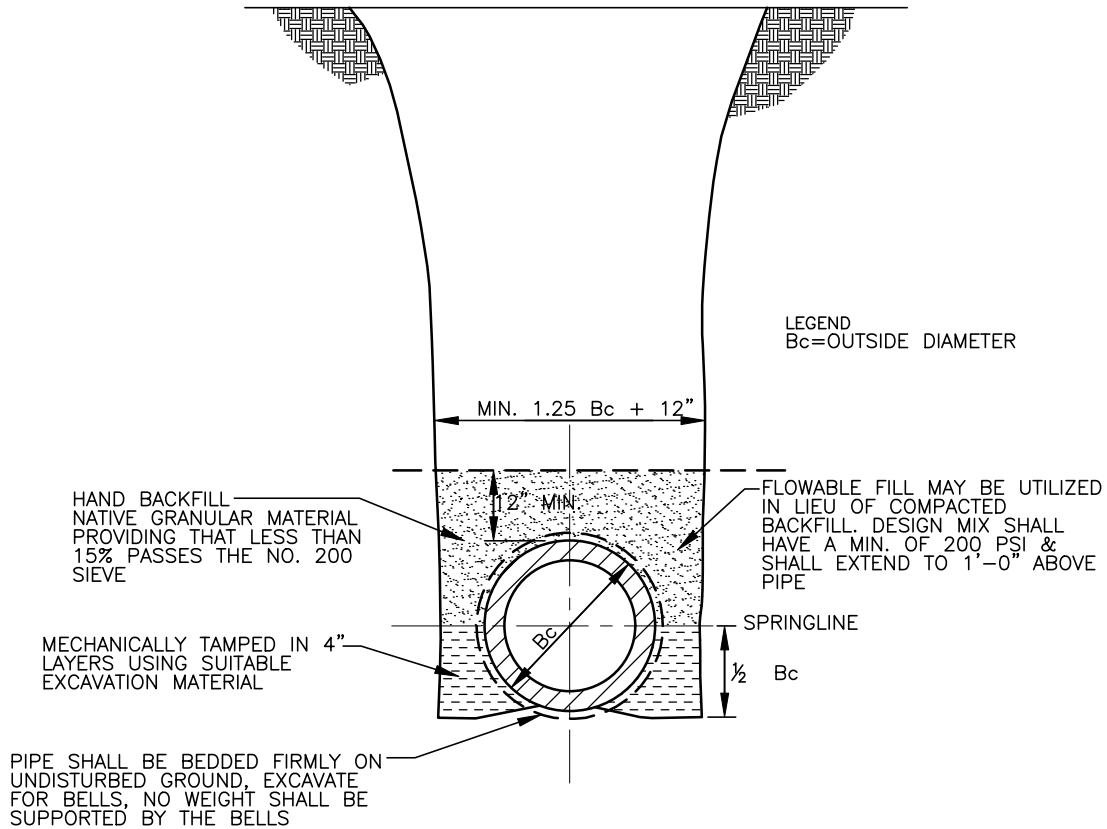


THE LOWER 90 ARC OF THE BARREL OF THE PIPE SHOULD BE IN FIRM CONTACT WITH UNDISTURBED EARTH.



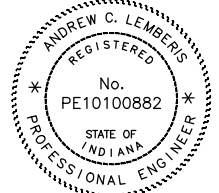
SMALL EXCAVATIONS SHOULD BE MADE FOR THE BELLS. THESE SHOULD BE NO LARGER THAN NECESSARY TO CLEAR THE BELL.



NOTES:

1. THIS UTILITY PIPE BEDDING DETAIL "A" SHALL BE USED FOR ANY RIGID UTILITY PIPE, OTHER THAN SANITARY OR STORM, THAT IS INSTALLED BY OPEN CUT.
2. THIS BEDDING DETAIL IS NOT PERMITTED FOR THE INSTALLATION OF ANY FLEXIBLE UTILITY PIPE. REFER TO DETAIL VII-2 FOR THE UTILITY PIPE INSTALLATION DETAIL FOR FLEXIBLE PIPE.
3. IF NATIVE MATERIAL IS GREATER THAN 15% PASSING THE NO. 200 SIEVE THEN BEDDING DETAIL "B" WILL BE USED EXCLUSIVELY.
4. BACK-FILL IN STREETS, ALLEYS, SIDEWALKS, OR DRIVING AREAS SHALL BE IN 6" LAYERS, SOLIDLY TAMPED TO SUB-GRADE OF STREET BASE.
5. BACK-FILL SHALL BE COMPACTED TO 95% STANDARD PROCTOR.
6. BACK-FILL IN EASEMENT OR OPEN AREAS SHALL BE IN 12" LAYERS SOLIDLY TAMPED.

PREPARED BY: DLZ INDIANA, LLC



Andrew C. Lemberis
02-01-2022

APPROVED/REVISED BY THE BOARD OF PUBLIC WORKS & SAFETY



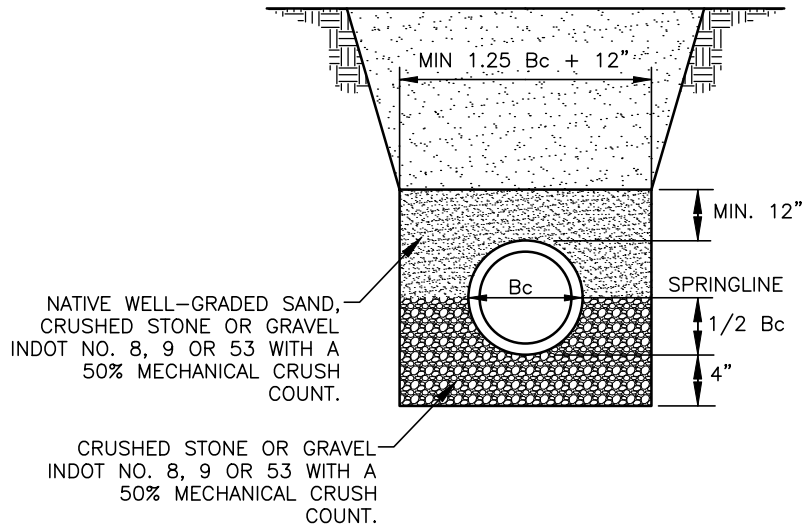
CITY OF MISHAWAKA, INDIANA

ITEM	REVISION	APPROVED DATE
	ADOPTED: NEW	FEBRUARY 2022

ENGINEERING STANDARDS

UTILITY PIPE
BEDDING DETAIL "A"

SHT. NO.
VII-1



LEGEND
Bc=OUTSIDE DIAMETER OF PIPE

NOTES:

1. THIS UTILITY PIPE BEDDING DETAIL "B" SHALL BE USED FOR ANY FLEXIBLE UTILITY PIPE, OTHER THAN SANITARY OR STORM, THAT IS INSTALLED BY OPEN CUT.
2. ALL BEDDING AND INITIAL BACKFILL SHALL BE INSTALLED IN 4" TO 6" BALANCED LIFTS AND MECHANICALLY TAMPED.
3. BEDDING MATERIAL SHALL BE HAND PLACED AROUND THE HAUNCH AND SIDES OF THE PIPE TO ENSURE PROPER COMPACTION AND COMPLETE FILLING OF ALL VOIDS.
4. THE MATERIALS IN AND AROUND THE PIPE HAUNCH SHALL BE COMPACTED IN PLACE BY SHOVEL SLICING DURING THE INSTALLATION.
5. BACK-FILL IN STREETS, ALLEYS, SIDEWALKS, OR DRIVING AREAS SHALL BE IN 6" LAYERS, SOLIDLY TAMPED TO SUB-GRADE OF STREET BASE.
6. BACK-FILL SHALL BE COMPACTED TO 95% STANDARD PROCTOR.
7. BACK-FILL IN EASEMENT OR OPEN AREAS SHALL BE IN 12" LAYERS SOLIDLY TAMPED.

PREPARED BY: DLZ INDIANA, LLC

Andrew C. Lemberis
02-01-2022

APPROVED/REVISED BY THE BOARD OF PUBLIC WORKS & SAFETY				CITY OF MISHAWAKA, INDIANA	
ITEM	REVISION	APPROVED DATE		ENGINEERING STANDARDS	
	ADOPTED: NEW	FEBRUARY 2022	UTILITY PIPE BEDDING DETAIL "B"		SHT. NO. VII-2